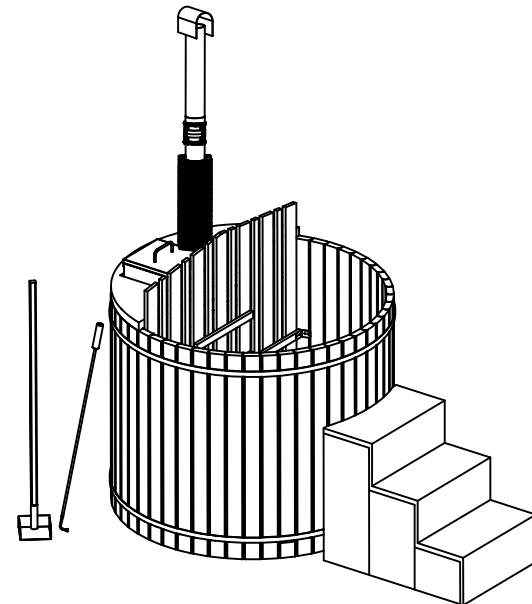
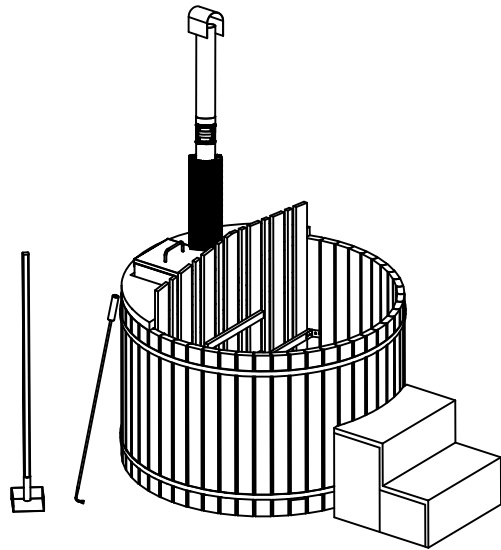
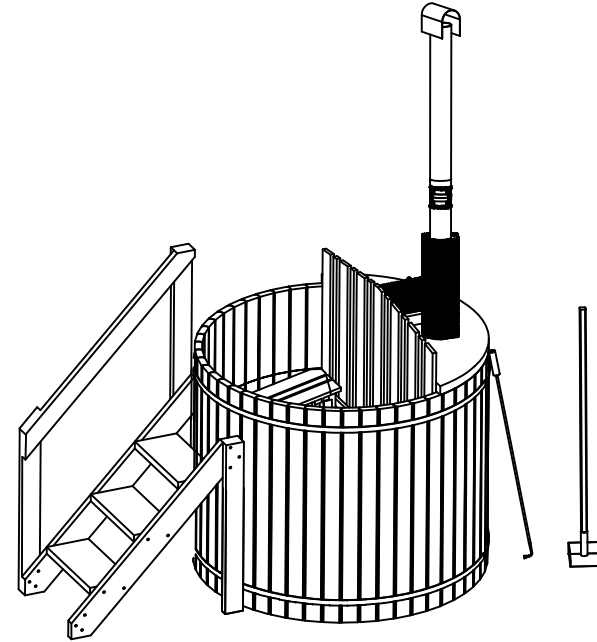
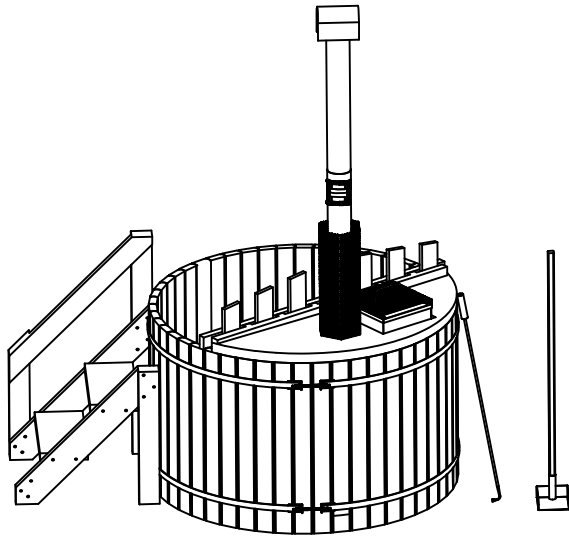


# Outdoor Hot Tub

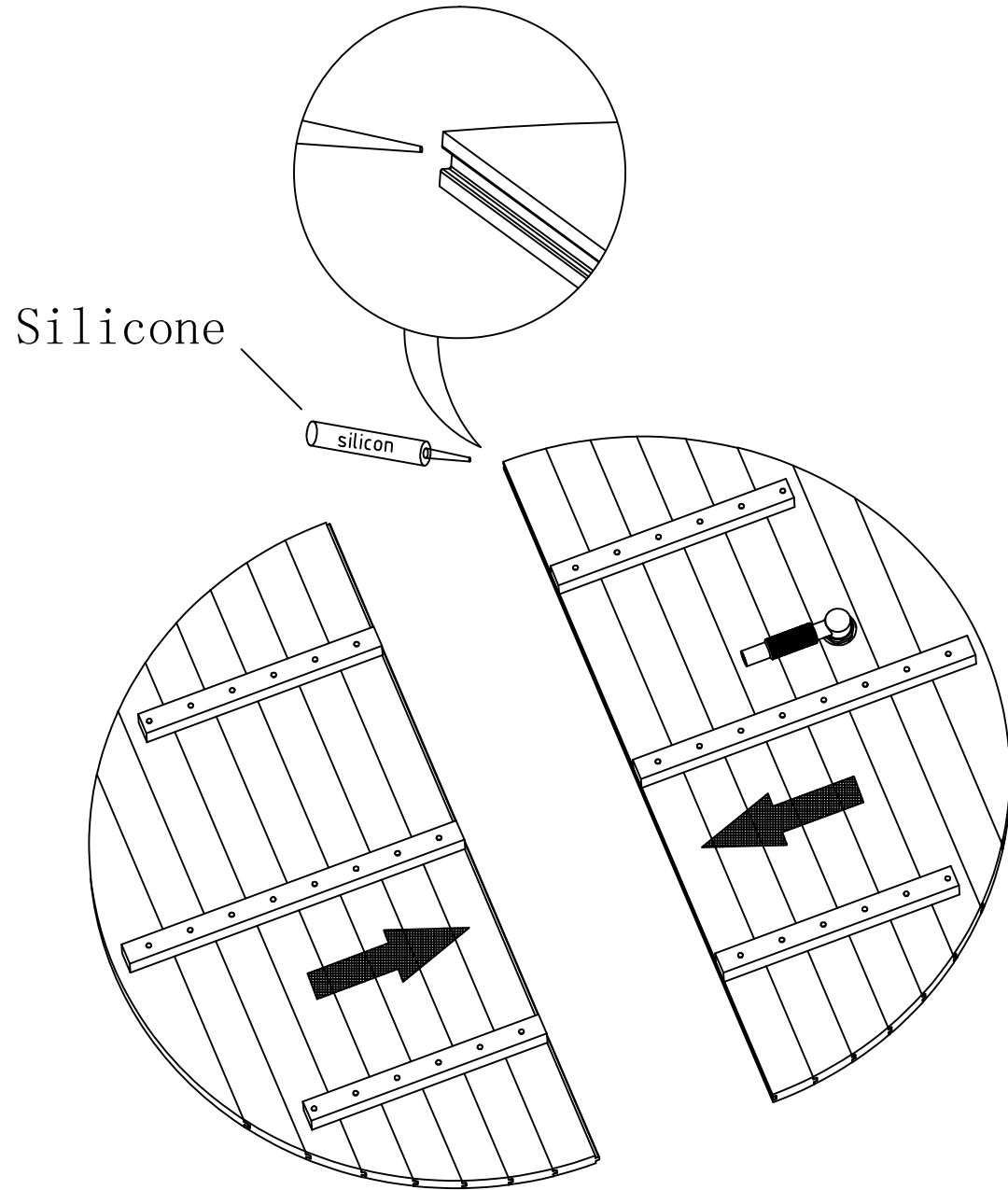
(with the built-in type wood combustion hot stove)



WHT-W(I) 1509, 1809, 2109

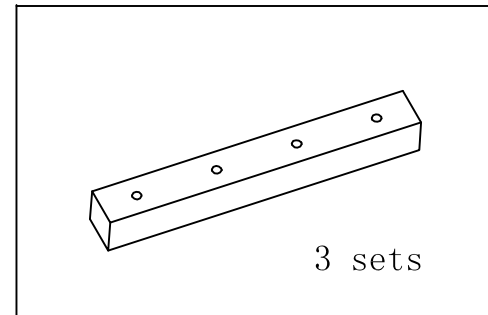
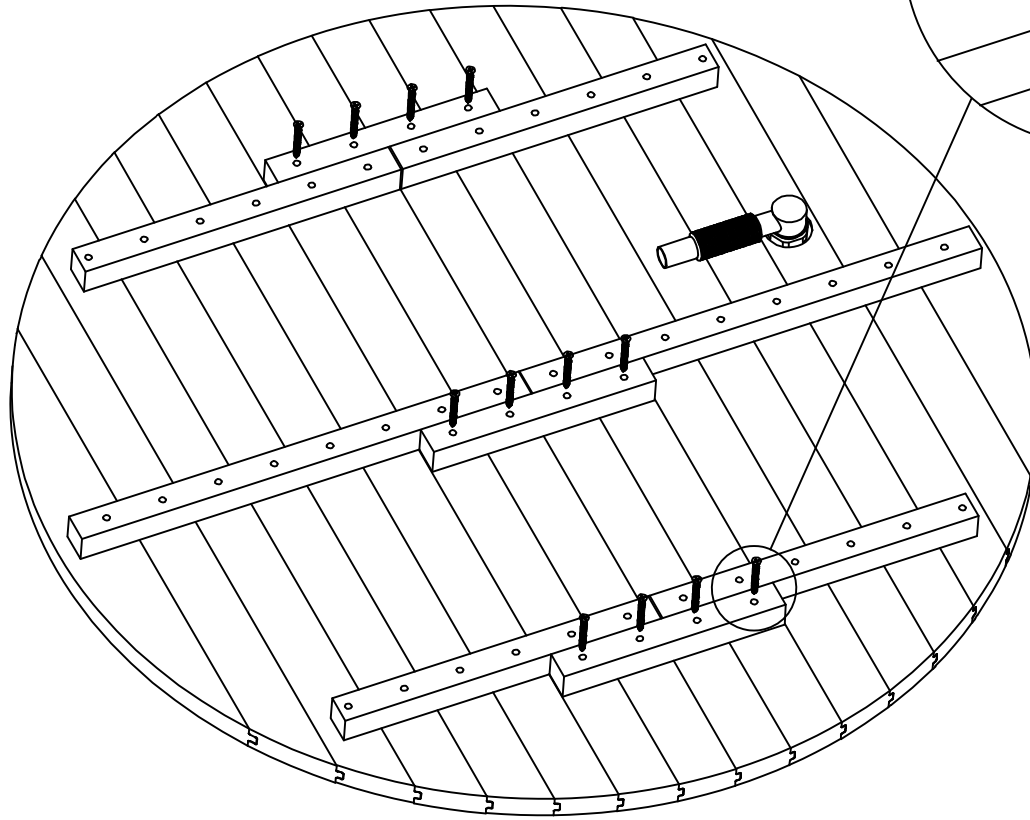
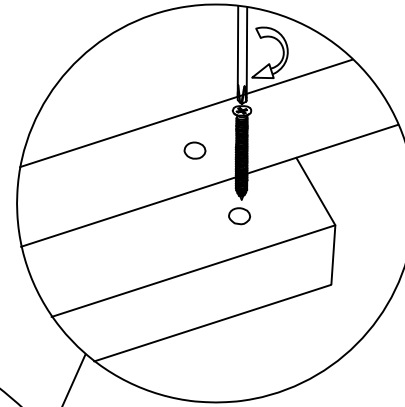
WHT-W(I)-1512, 1812, 2112

1.



2.

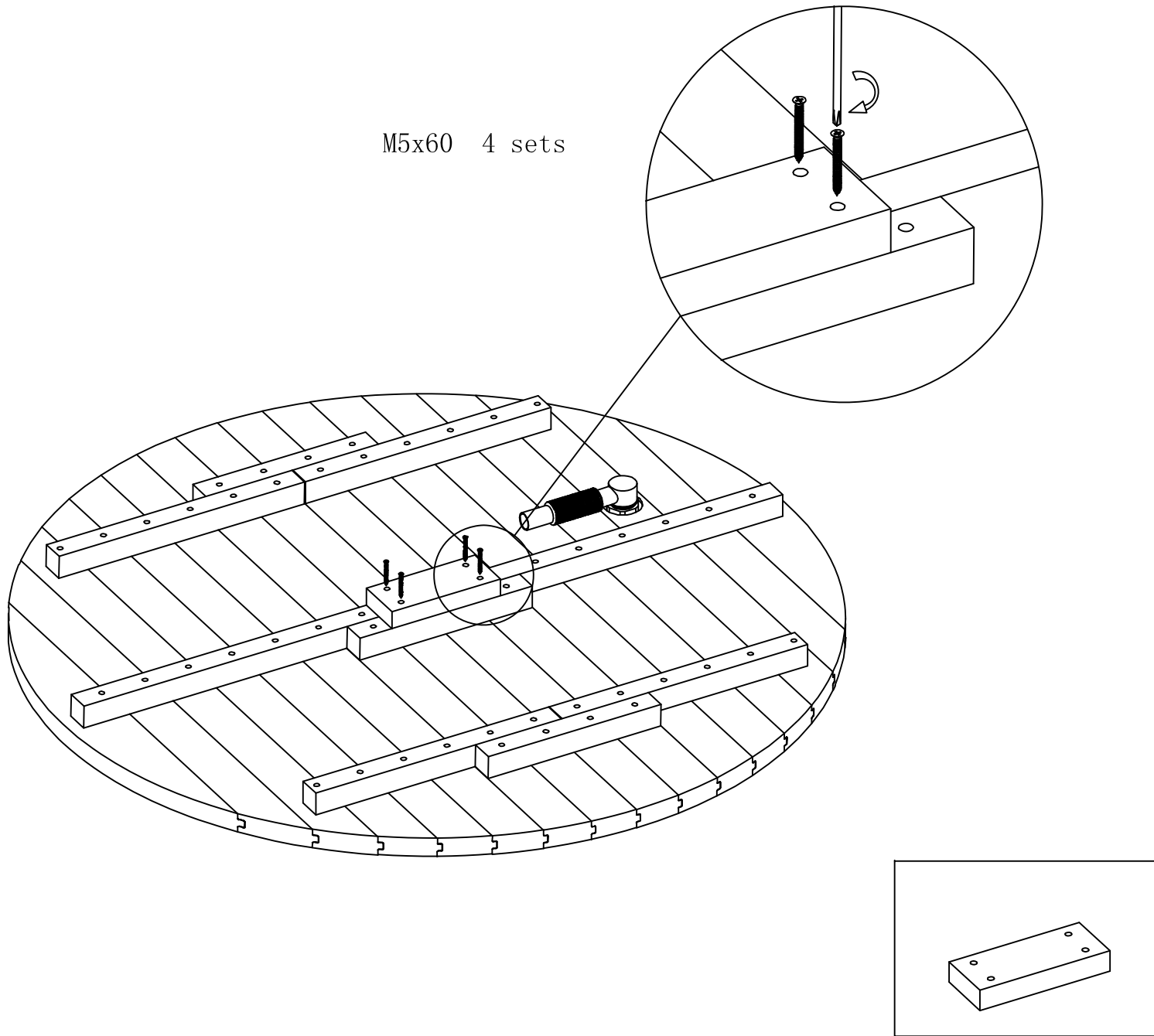
M5x60 12 sets



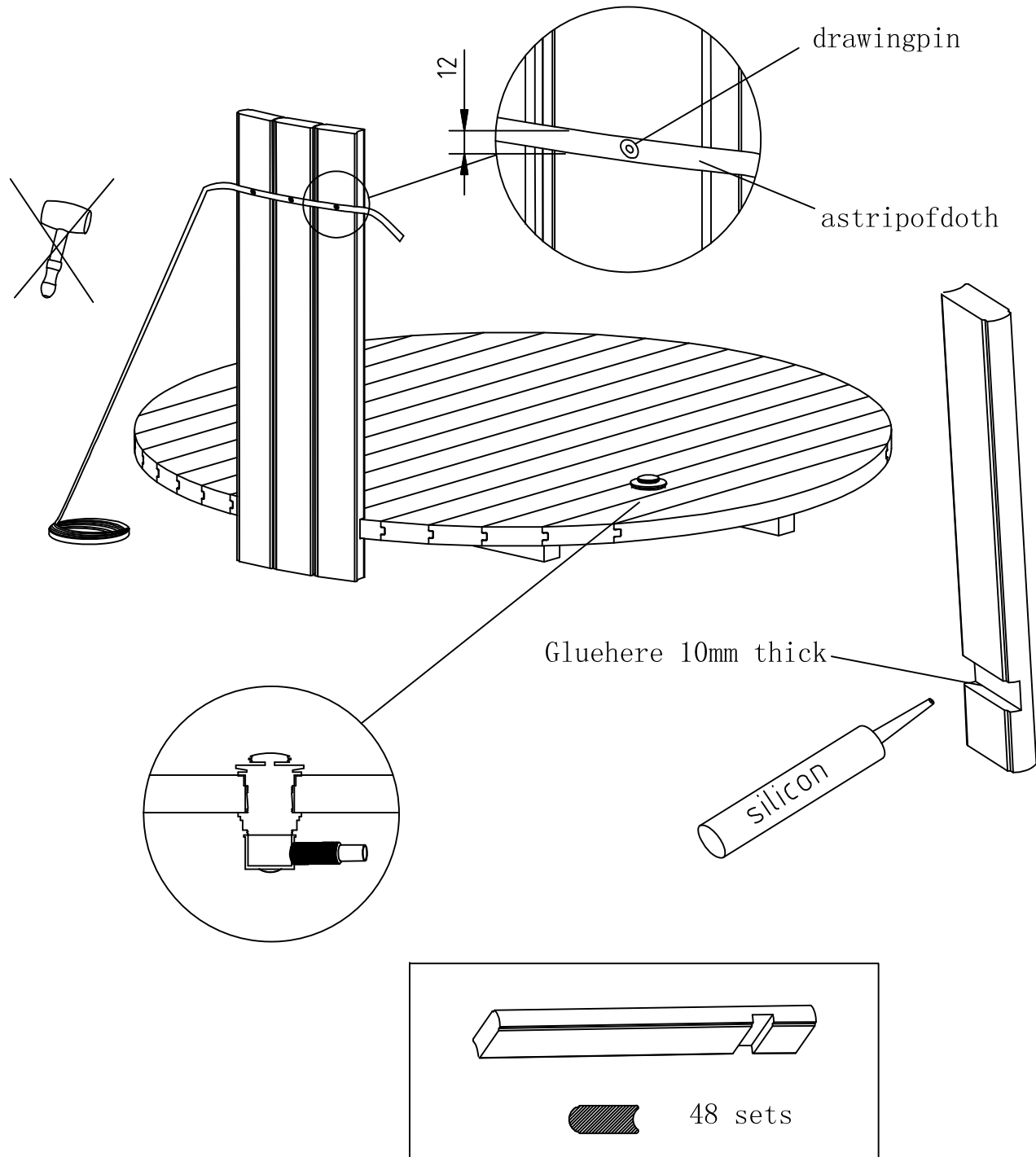
3 sets

3.

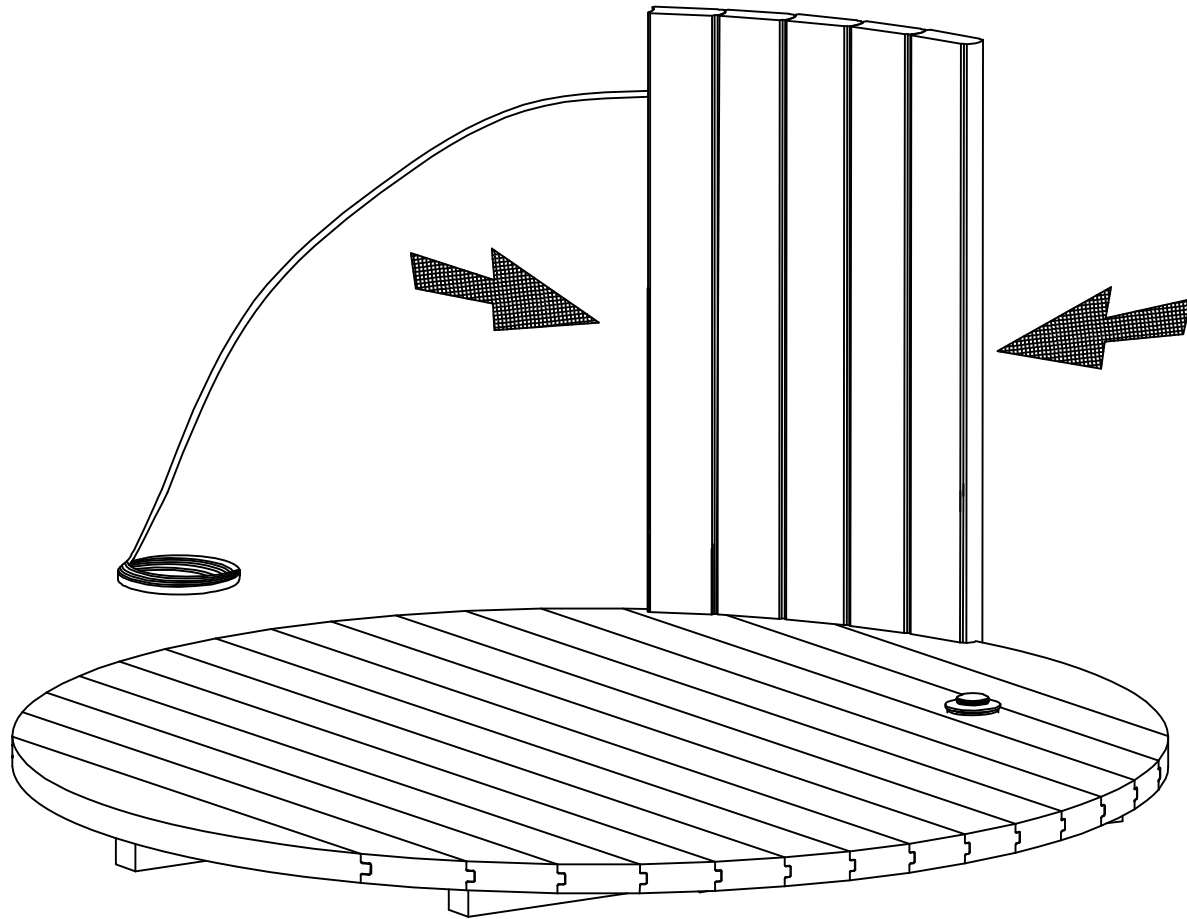
M5x60 4 sets



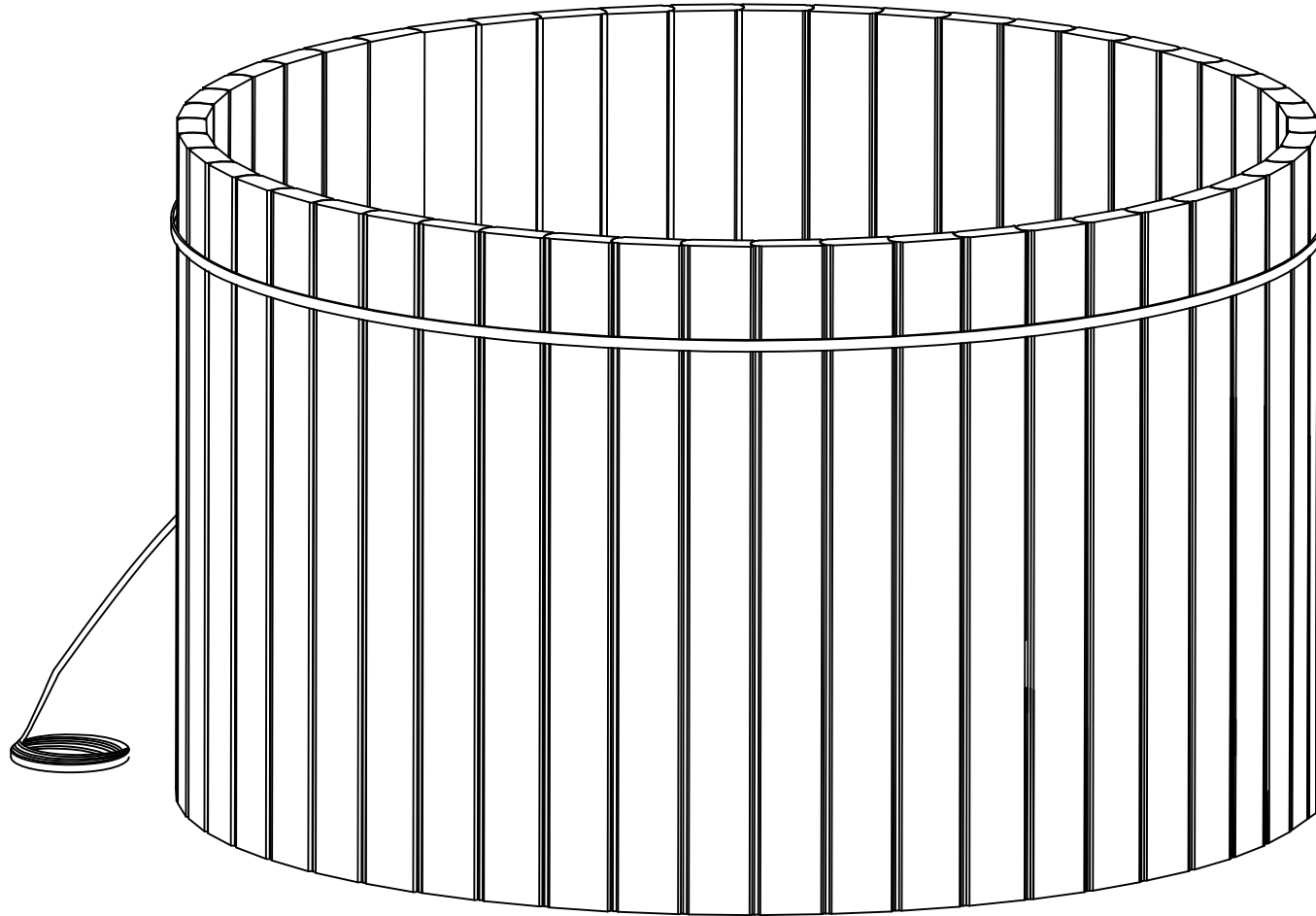
4.



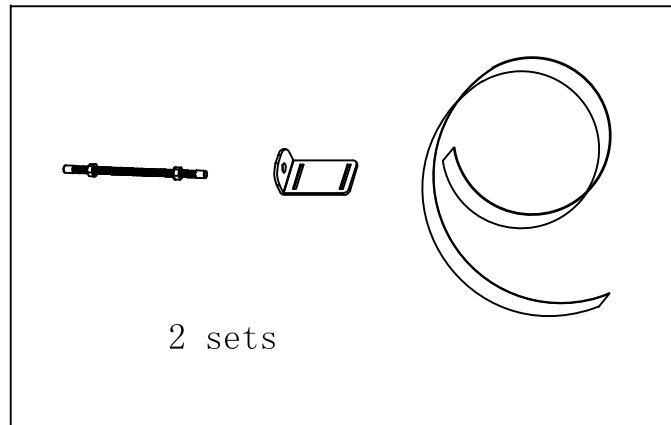
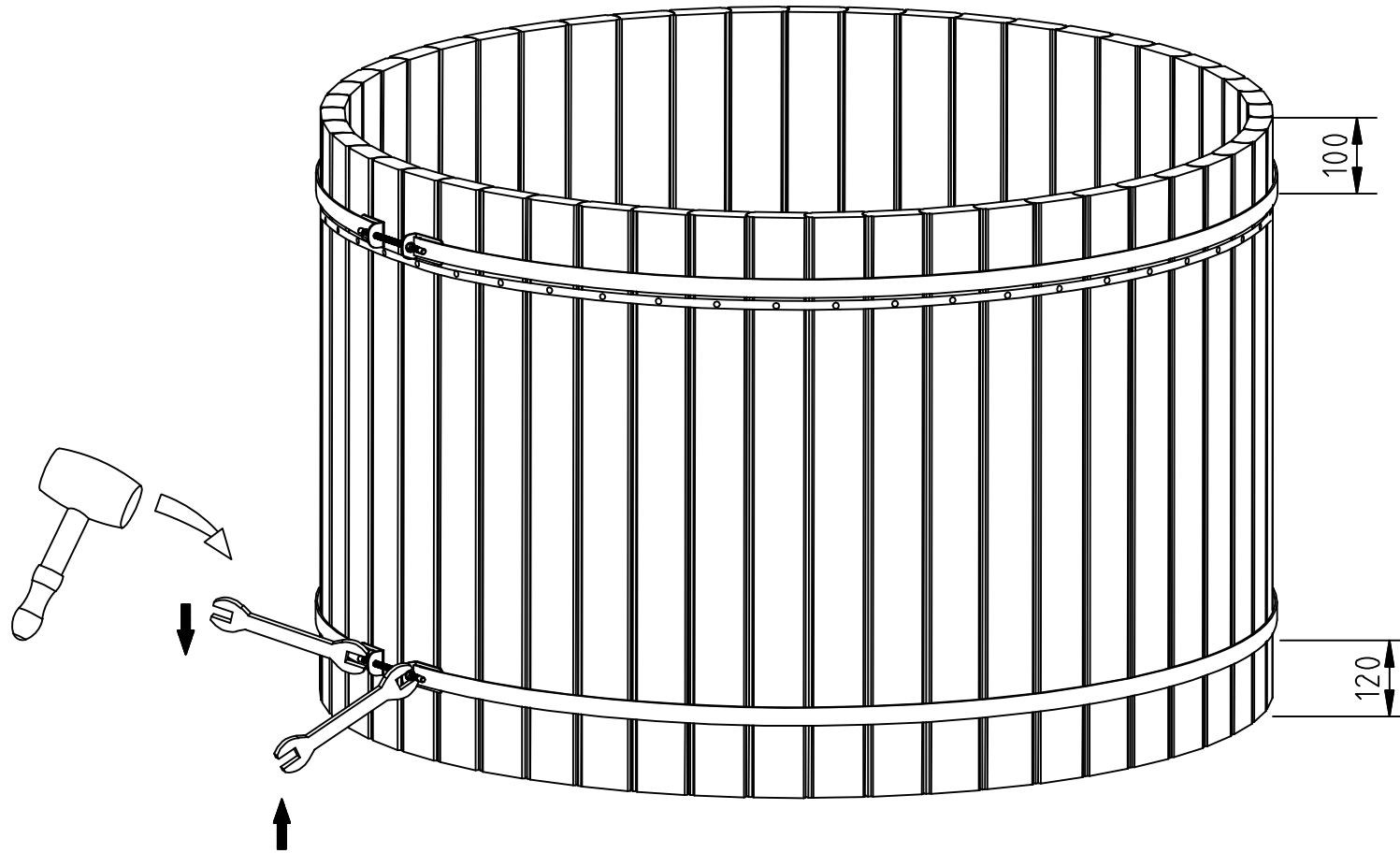
5.



6.

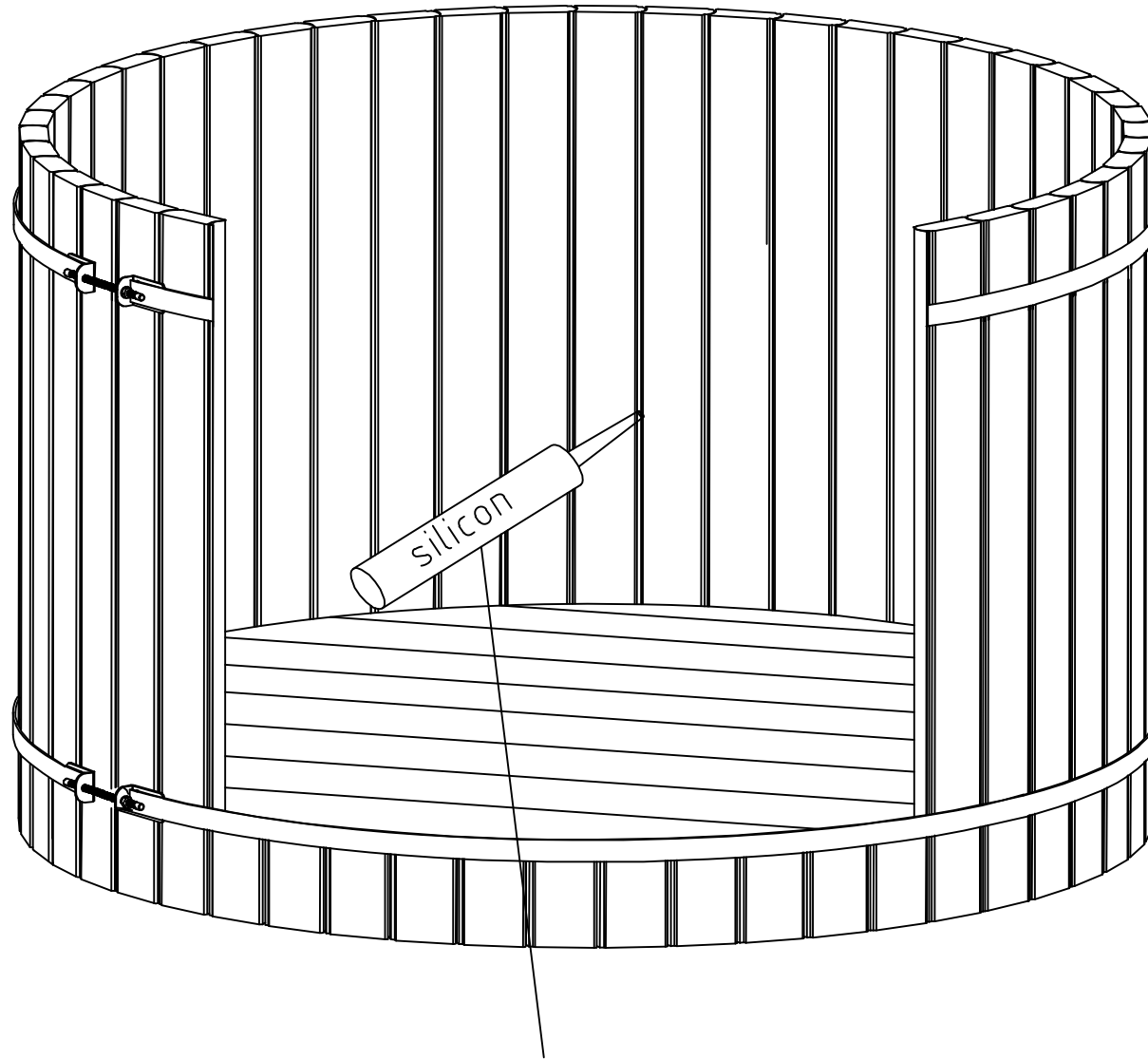


7.

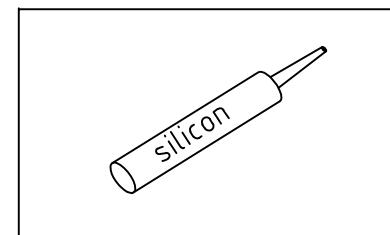




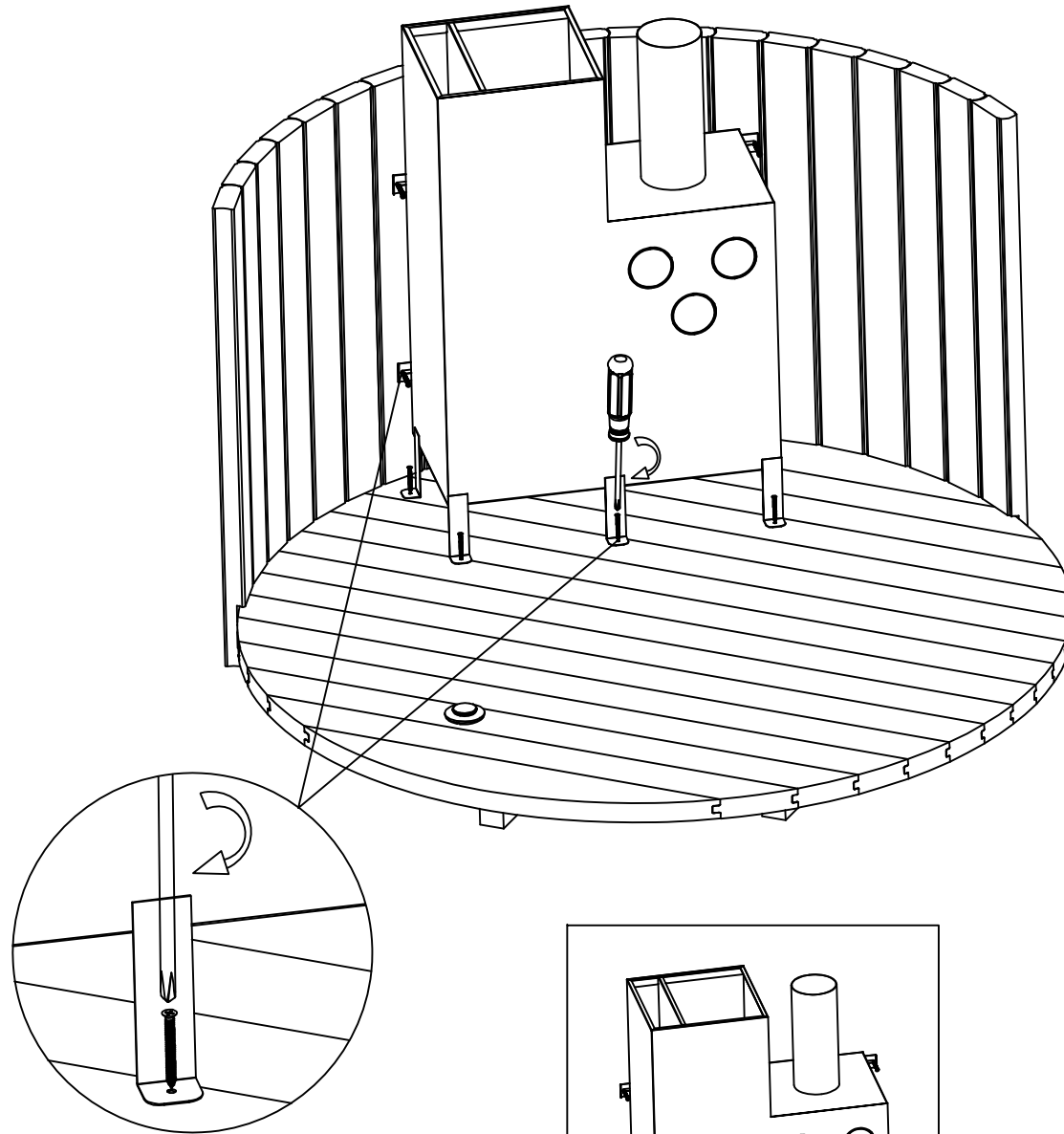
8.



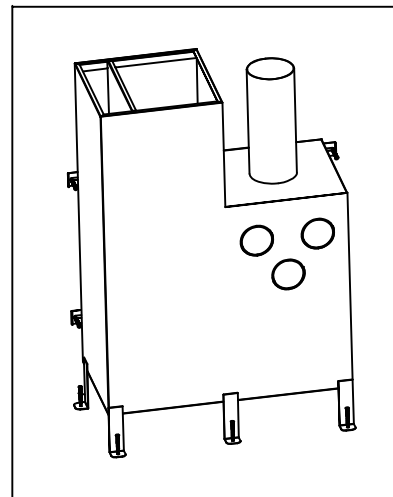
Add water to test the leakage, apply glue on the inner side of the barrel where there is leakage, and level it with fingers.



9.

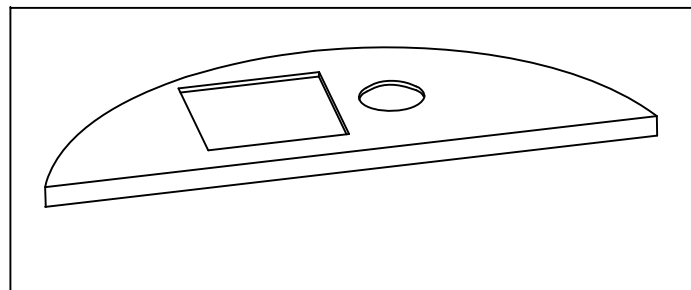
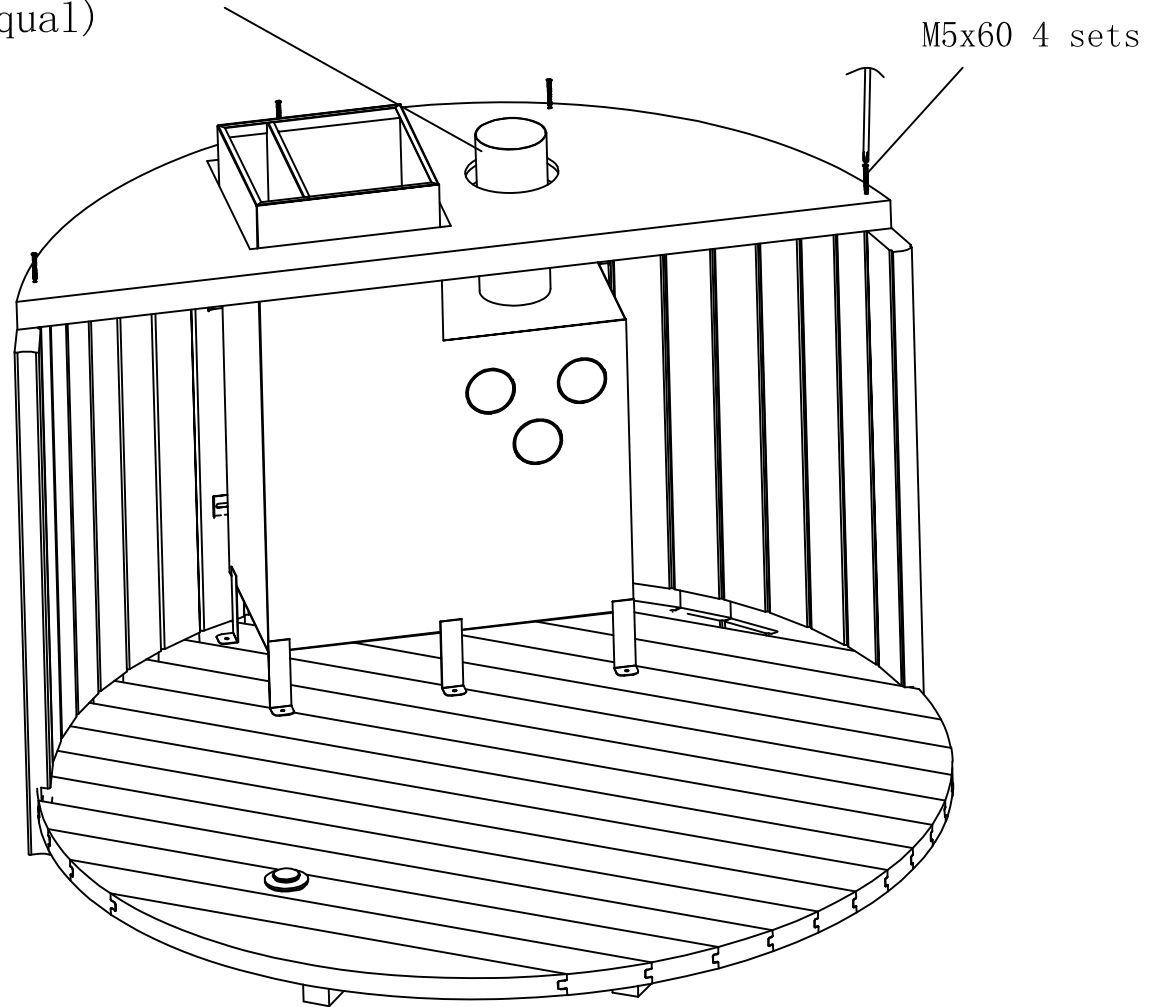


M3. 2x30 10 sets

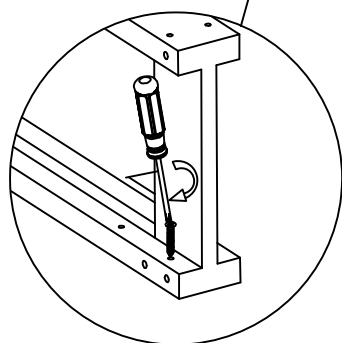
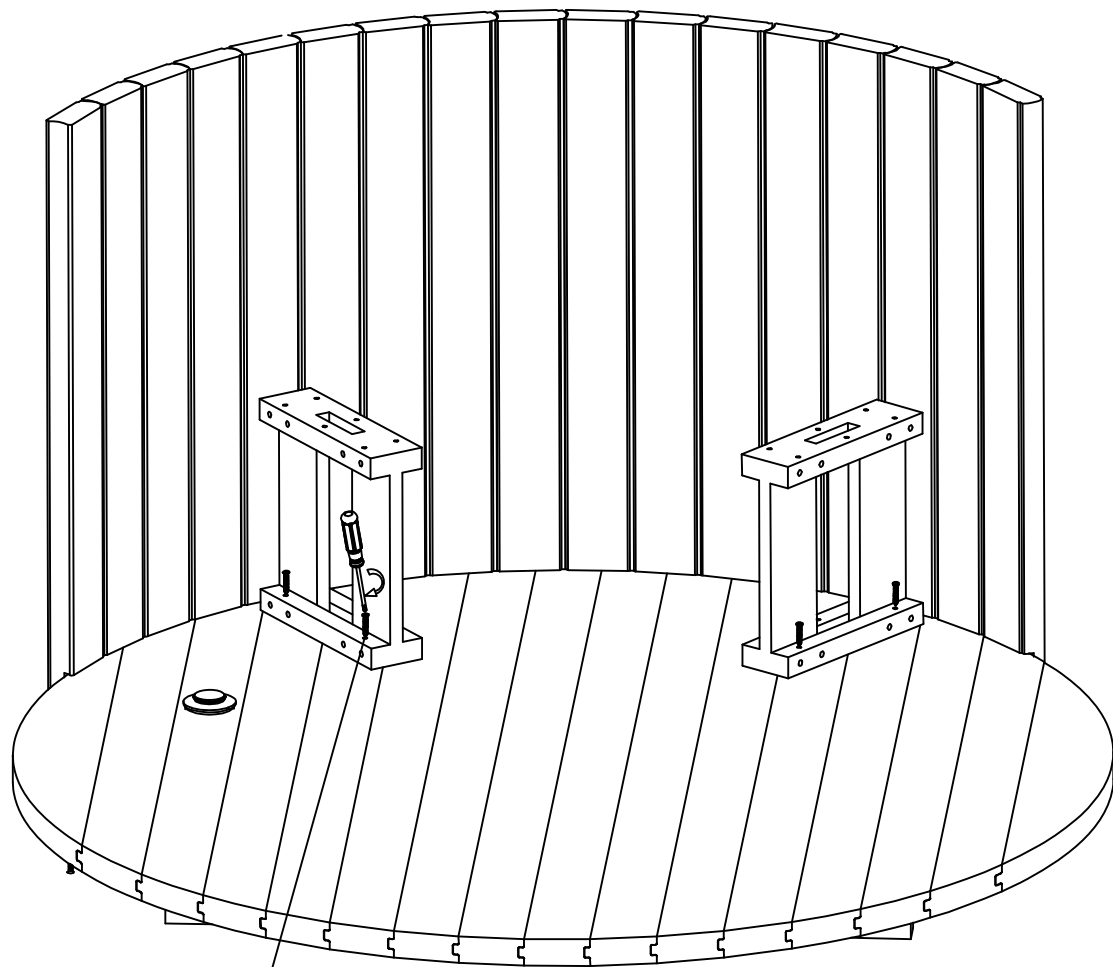


10.

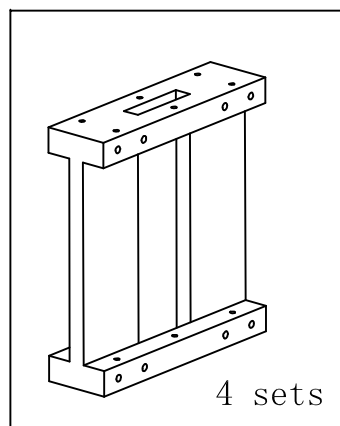
The smoke window is in the center of the round hole (Try to keep the peripheral clearance equal)



11.

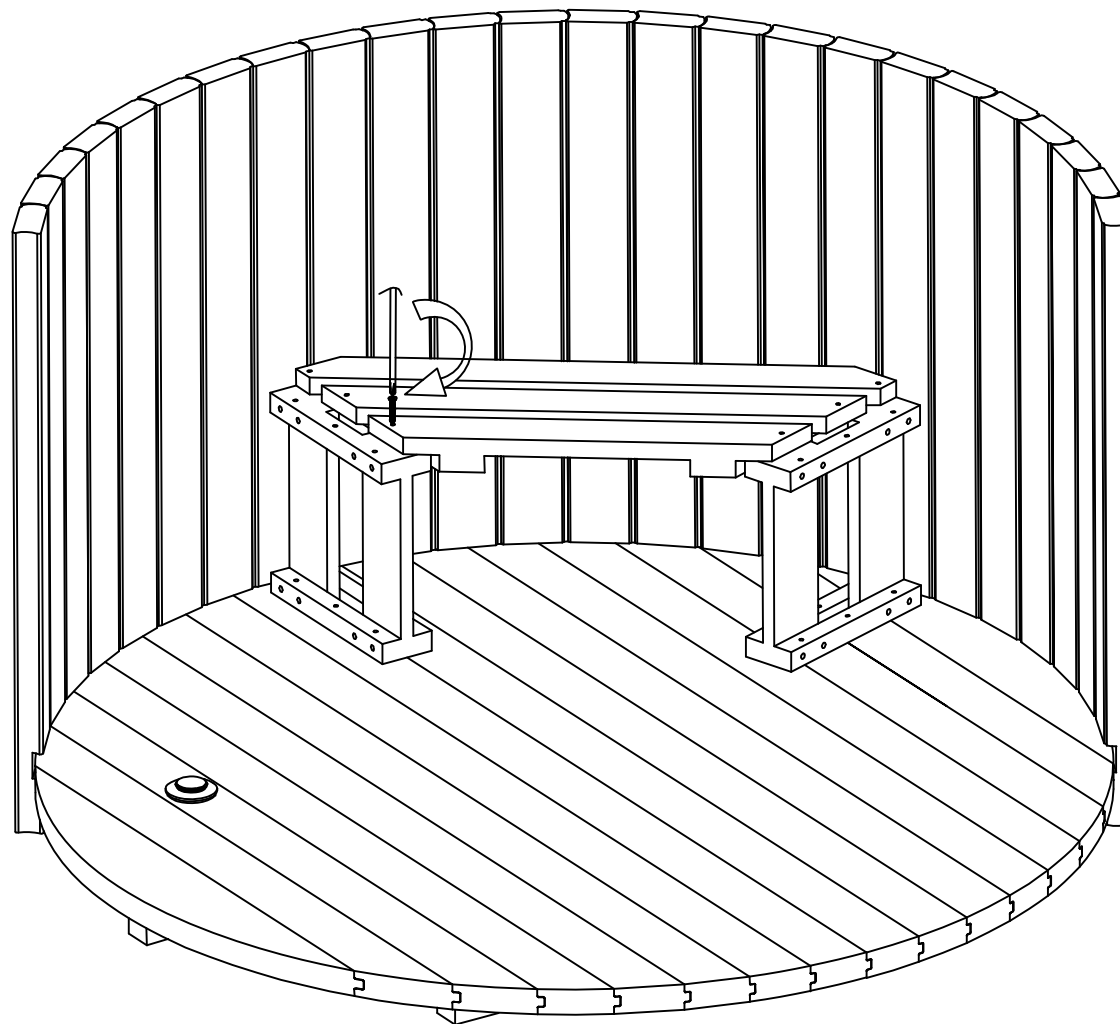


M5x60 8 sets

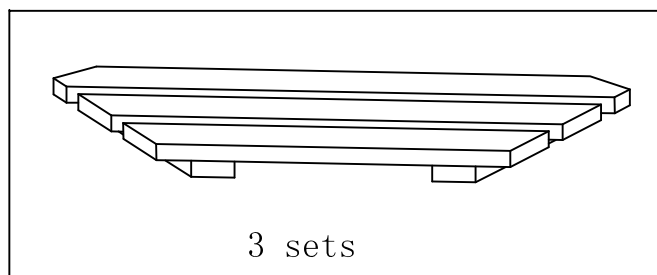


4 sets

12.

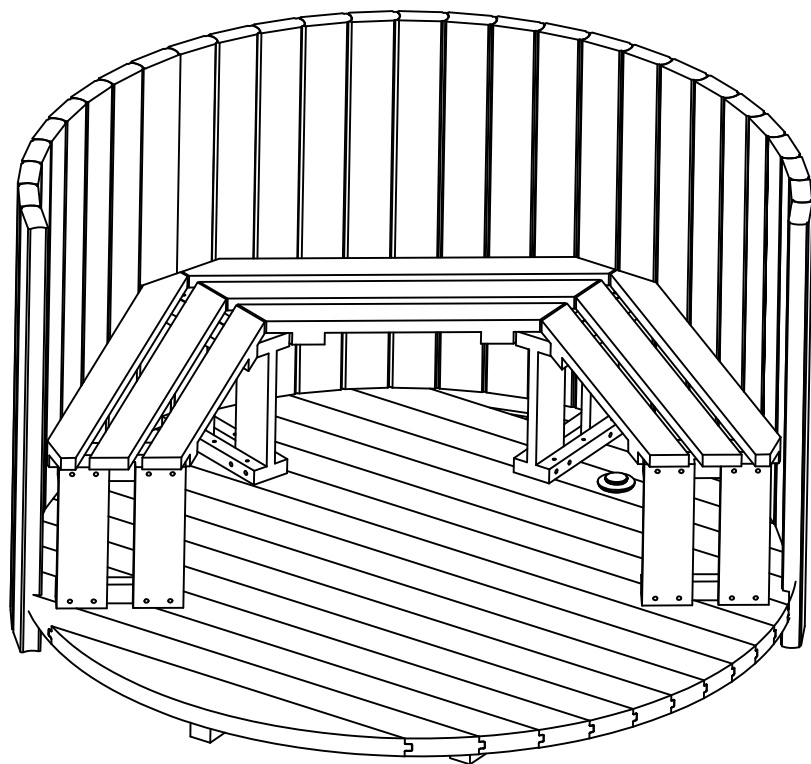


M5x60 6 sets



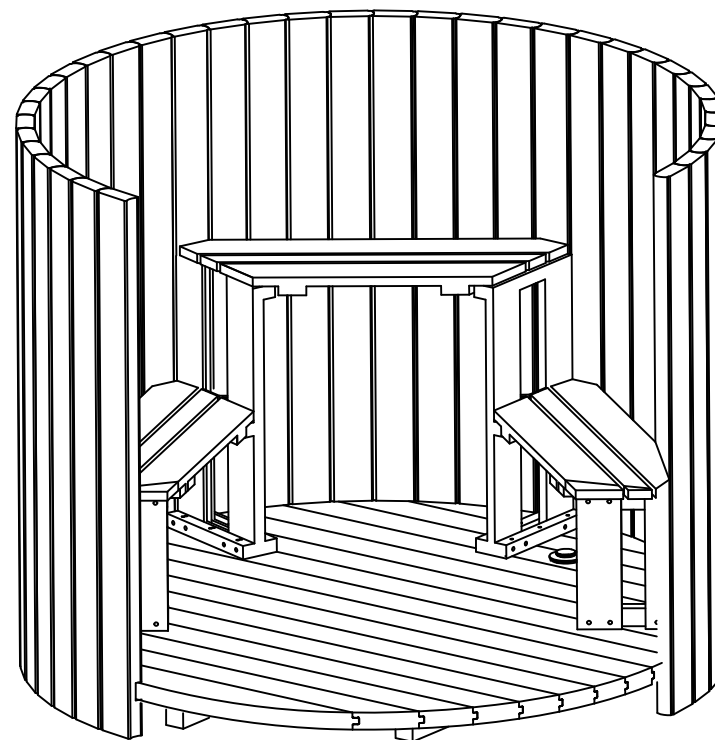
3 sets

13.



M5x60 12 sets

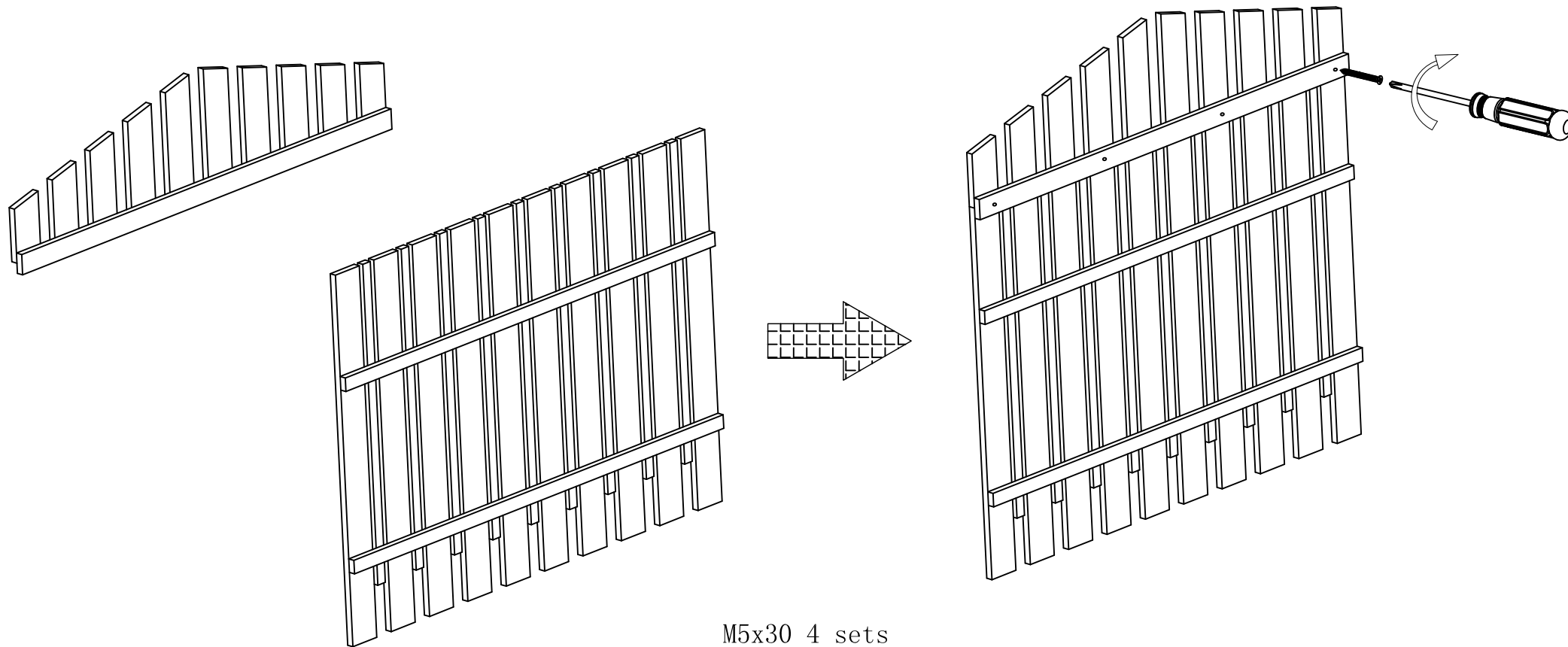
WHT-1509, 1809, 2109



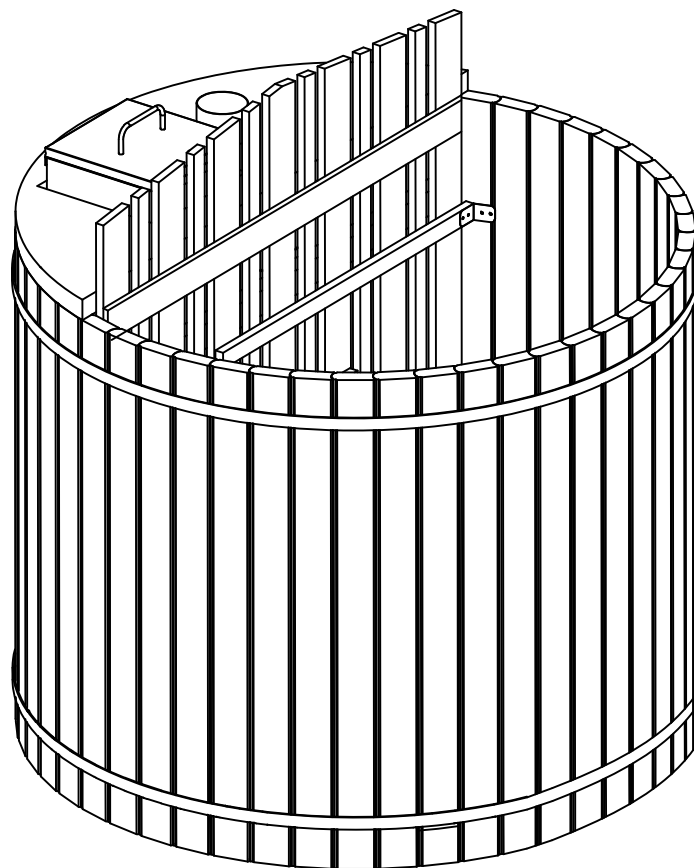
M5x60 12 sets

WHT-1512, 1812, 2112

14.



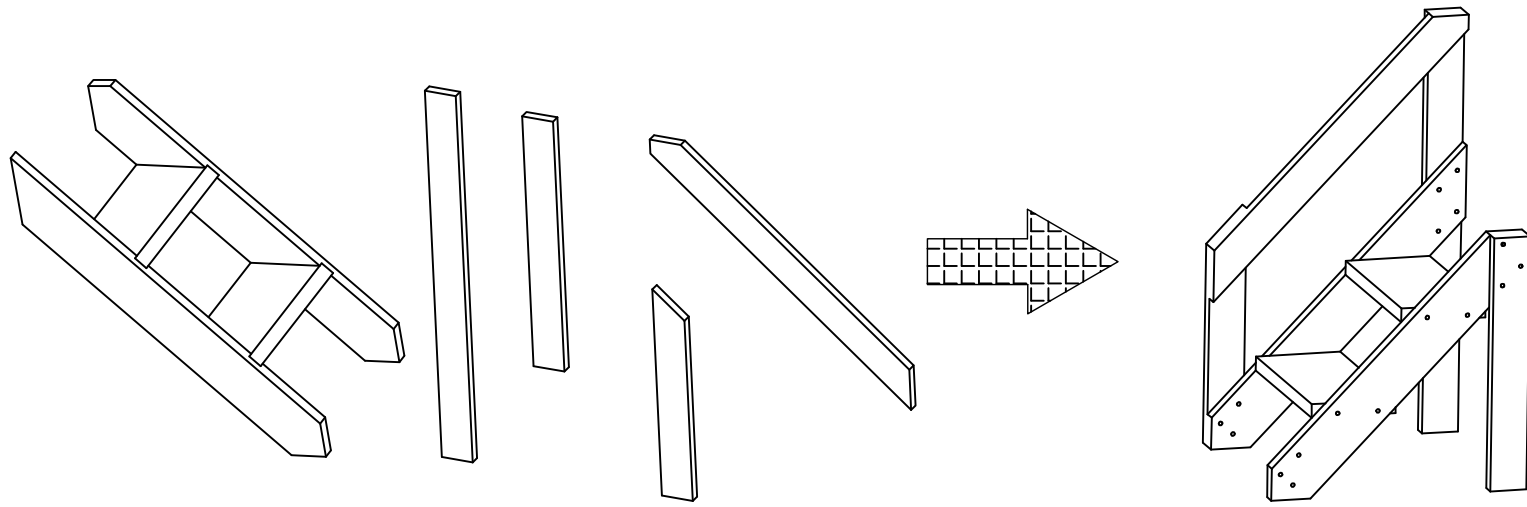
15.



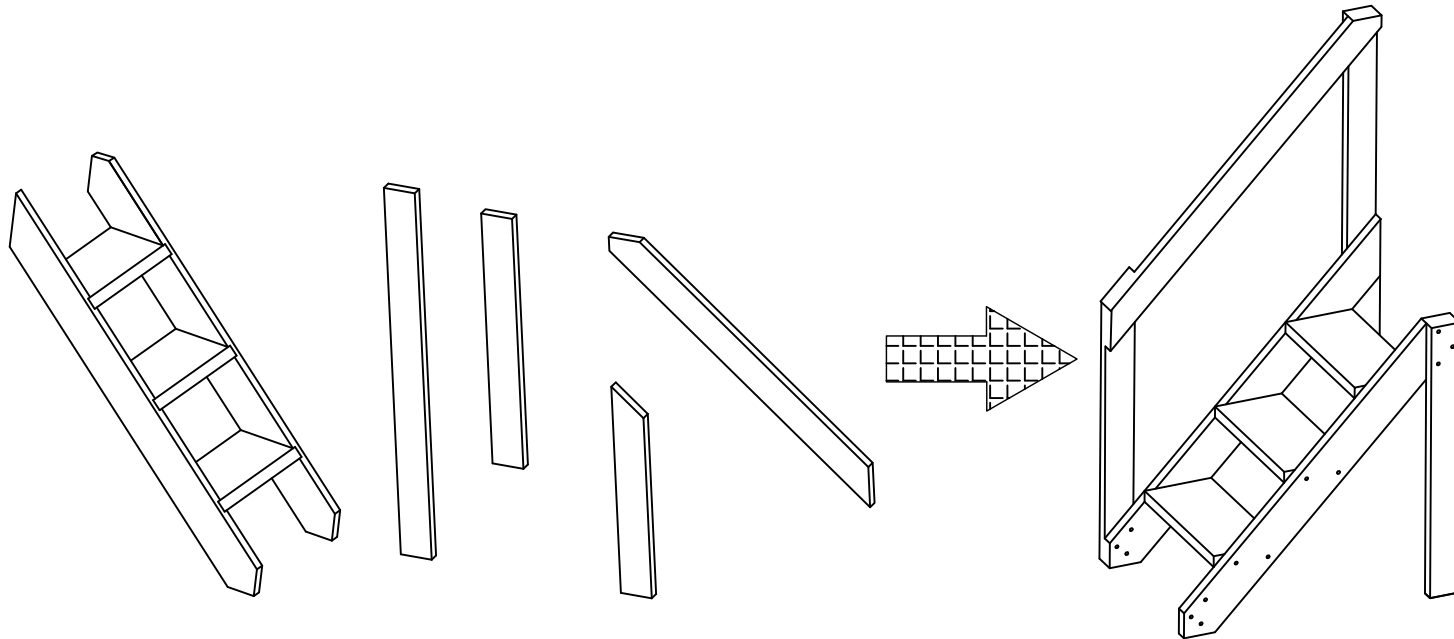
M5x30 16 sets



16.

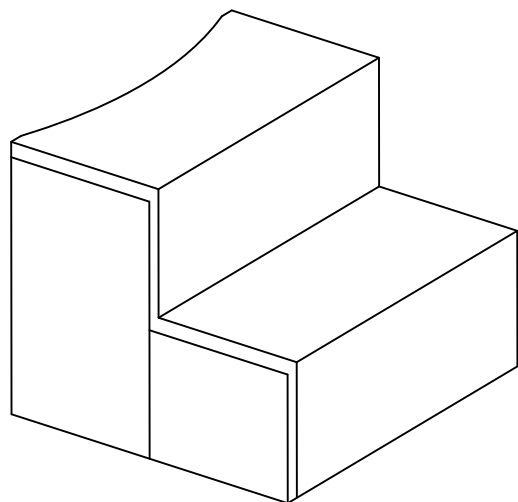


WHT-1509, 1809, 2109

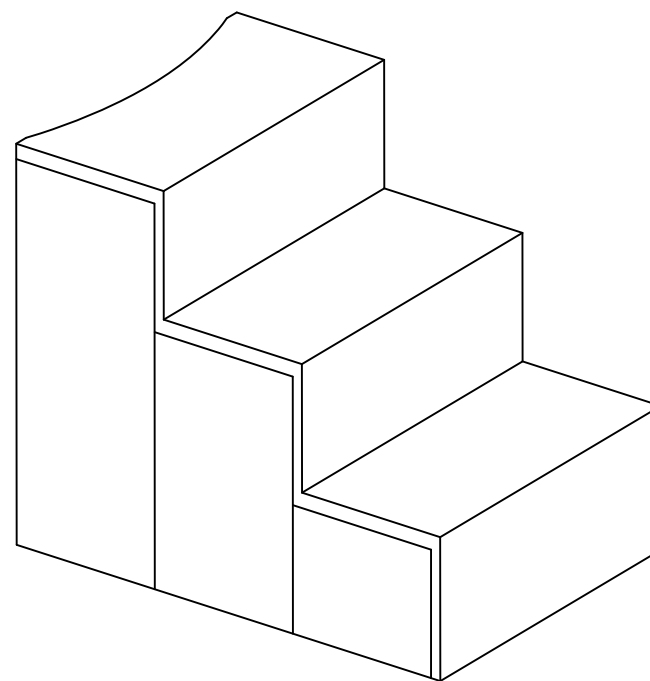


WHT-1512, 1812, 2112

17.

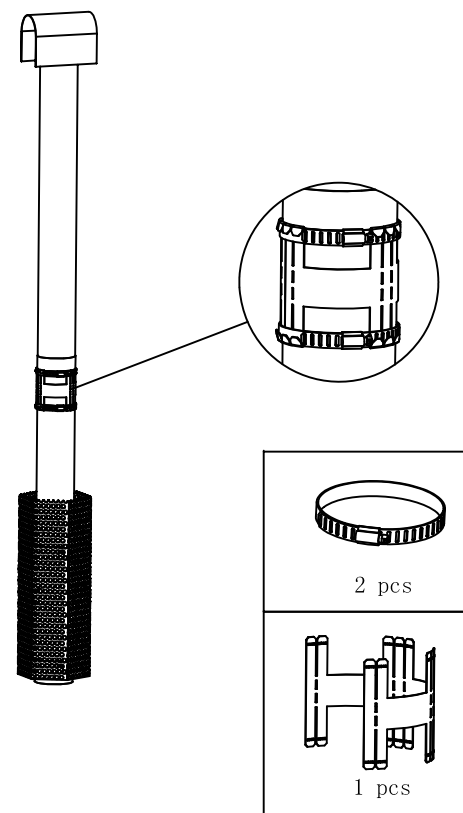
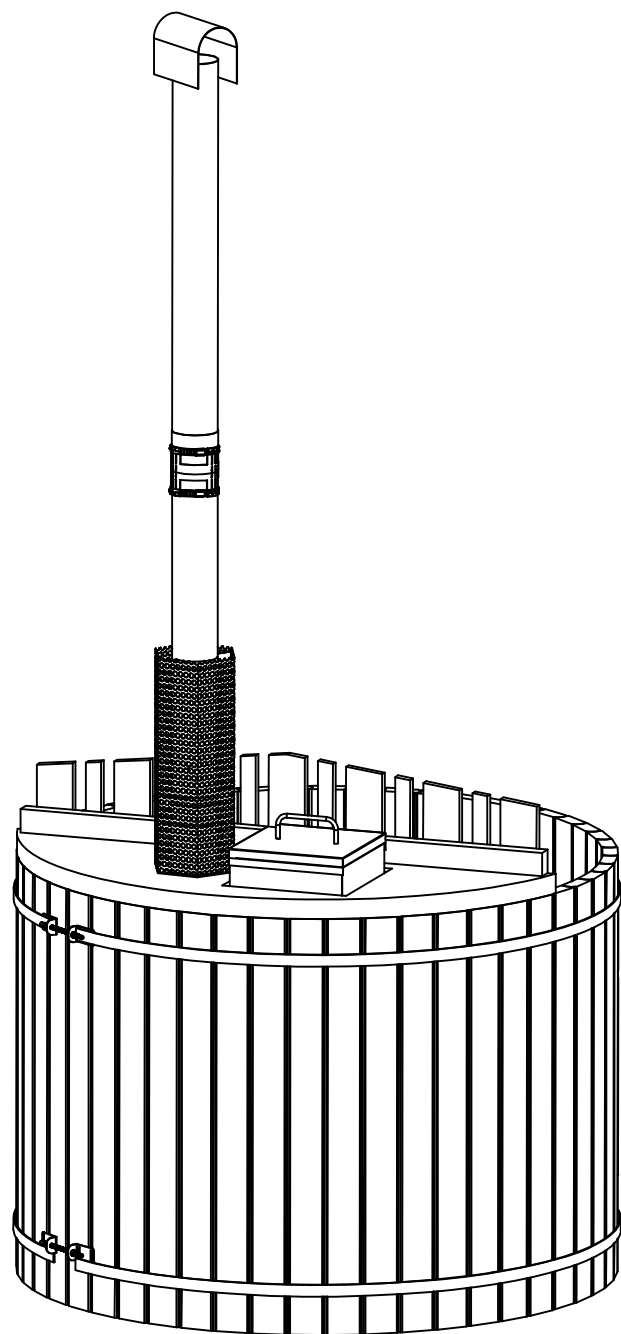


WHT-1509, 1809, 2109

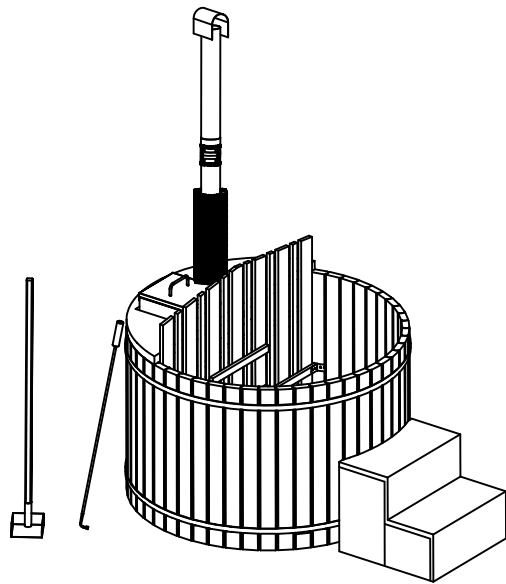
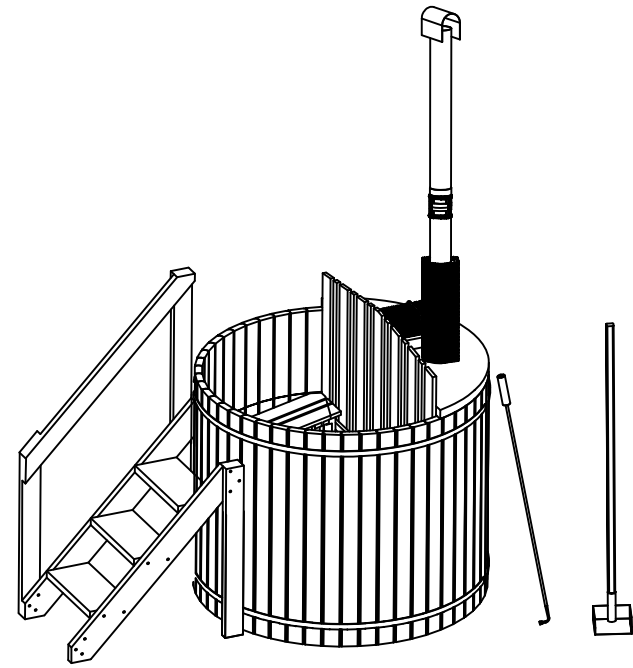
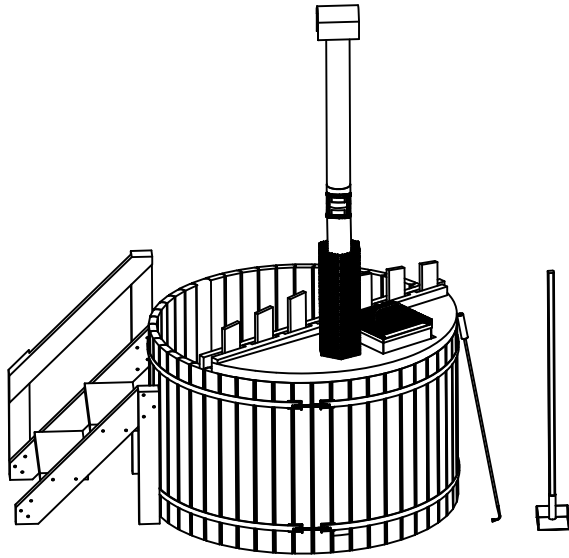


WHT-1512, 1812, 2112

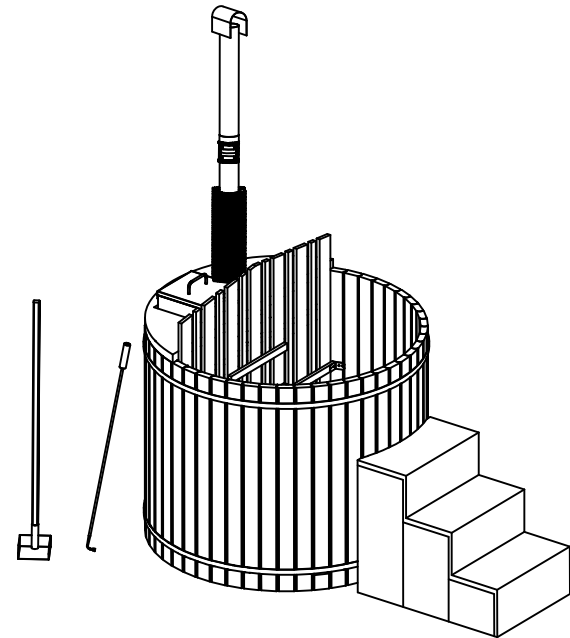
18.



18.



WHT-1509, 1809, 2109



WHT-1512, 1812, 2112